

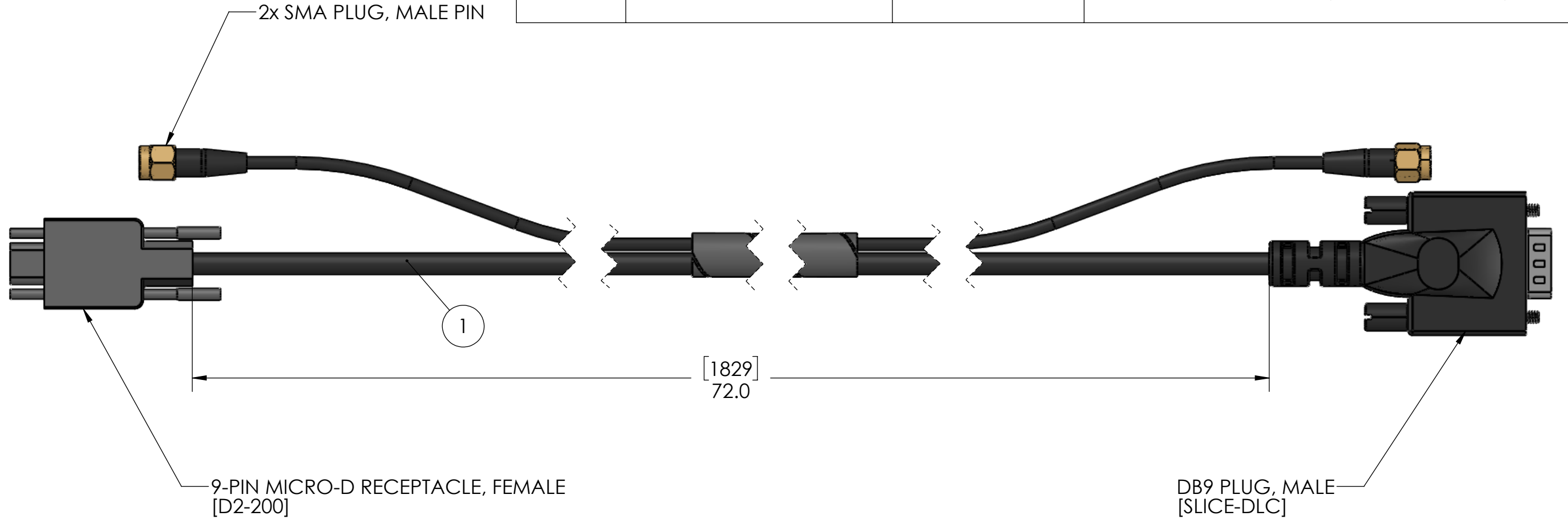
4

3

2

1

ITEM NO.	MANUFACTURER	MFG PART NO.	DESCRIPTION	QTY.
1	MOLEX	0834219038	D-SUB CABLE ASSEMBLY, DB9 PLUG - MALE PINS, TO 9POS MICRO-D RECEPTACLE, FEMALE SOCKETS, 72" LENGTH	1



PIN NO. DB9	PIN NO. MICRO-D	FUNCTION
1	1	CASE TEC 1-
2	2	CASE TEC 1+
3	3	N/C
4	4	LASER TEC 2-
5	5	LASER TEC 2+
6	6	CASE Rth 1 RTN
7	7	CASE Rth 1
8	8	LASER Rth 2 RTN
9	9	LASER Rth 2



NOTES:
 • ALL PIN NUMBERS ARE DERIVED DIRECTLY FROM MANUFACTURER DATASHEETS AND ARE NOT BEING REDEFINED BY THIS DRAWING

PROPRIETARY AND CONFIDENTIAL
 THE INFORMATION CONTAINED IN THIS DRAWING IS THE SOLE PROPERTY OF VESCENT TECHNOLOGIES, INC. ANY REPRODUCTION IN PART OR AS A WHOLE WITHOUT THE WRITTEN PERMISSION OF VESCENT TECHNOLOGIES, INC. IS PROHIBITED.

SLICE-CABLE-005

	FORMAT	SCALE	UNITS	PART NO.	REVISION	PAGE
	B	1:1	[mm] IN	50-00254-R01		1 / 1

4

3

2

1